

DESCRIPTION

- Metal construction with various finishes identified by suffix
- Power Clean™ spray technology
- Pullout spray with 59" braided hose
- Flexible supplies with 3/8" compression fittings

OPERATION

- Lever style handle
- Temperature controlled by 100° arc of handle travel
- Spout rotation is 120°
- Operates with less than 5lbs. of force
- Operates in stream or spray mode in the pullout or retracted position

FLOW

- Flow is limited to 1.5 gpm (5.7 L/min) at 60 psi

CARTRIDGE

- 1255™ Duralast™ cartridge

STANDARDS

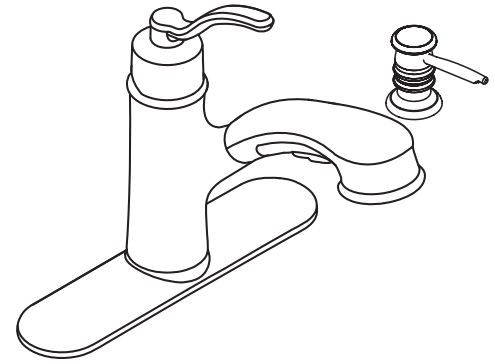
- Third party certified to IAPMO Green, ASME A112.18.1/CSA B-125.1 and all applicable requirements referenced therein including NSF 61/9 & 372
- Meets CalGreen and Georgia SB370 requirements
- Complies with California Proposition 65 and with the Federal Safe Drinking Water Act
- The backflow protection system in the device consists of two independently operating check valves, a primary and a secondary which prevent backflow

- **ADA**  for lever handle

WARRANTY

- Lifetime limited warranty against leaks, drips and finish defects to the original homeowner
- 10 year limited warranty when used in a multifamily installation
- 5 year limited warranty when used in a commercial installation

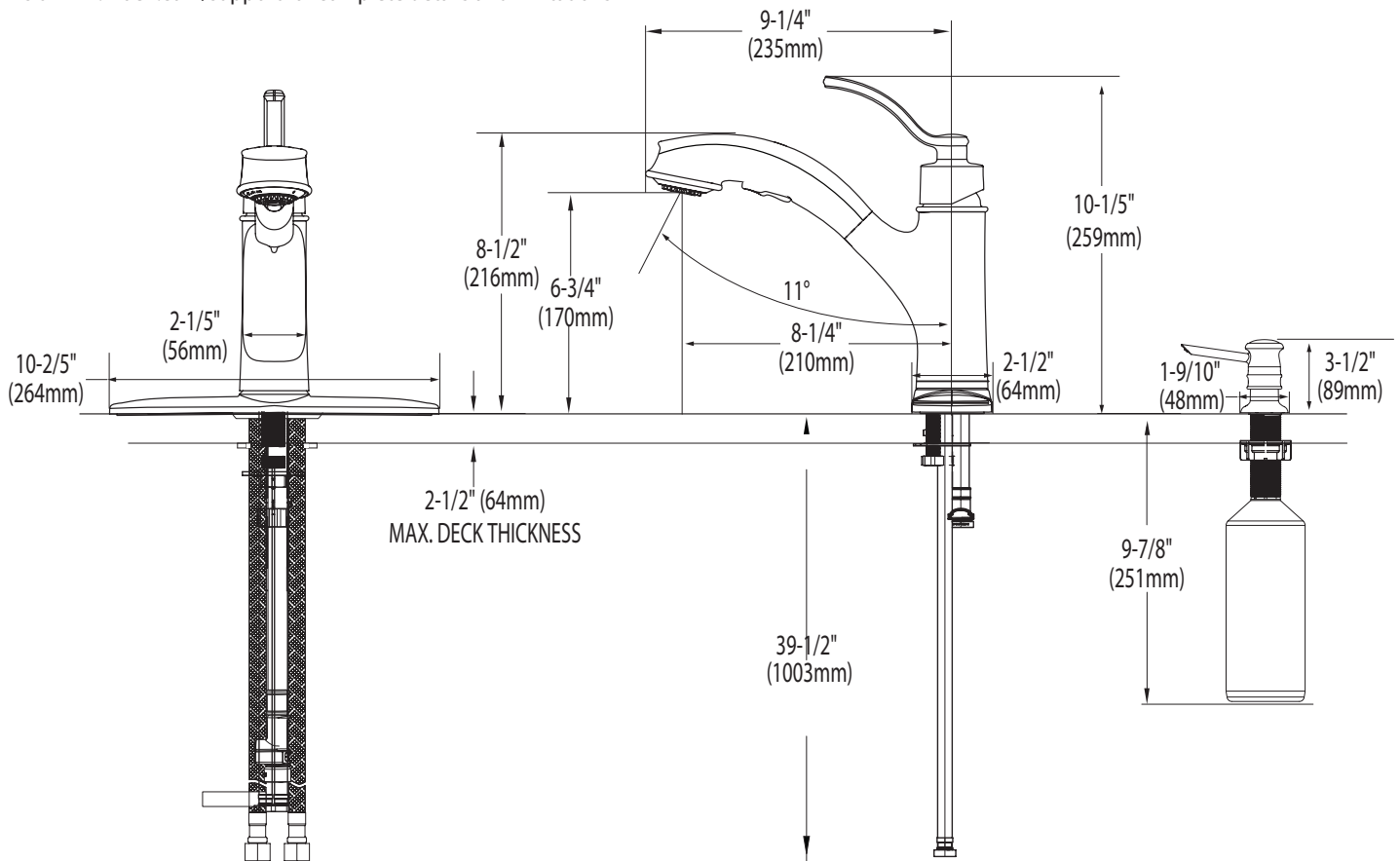
Visit www.moen.com/support for complete details and limitations



MARBROOK™ Single Handle Pullout Kitchen Faucet

Models: 87377 series

NOTE: DESIGNED TO INSTALL THROUGH 1, 2, 3 OR 4 HOLES 1-1/2" (38mm) DIA.



CRITICAL DIMENSIONS (DO NOT SCALE)

FOR MORE INFORMATION CALL: 1-800-BUY-MOEN

www.moen.com